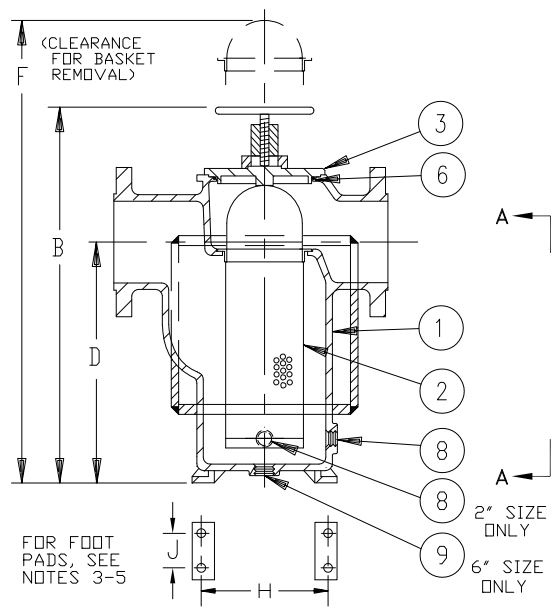
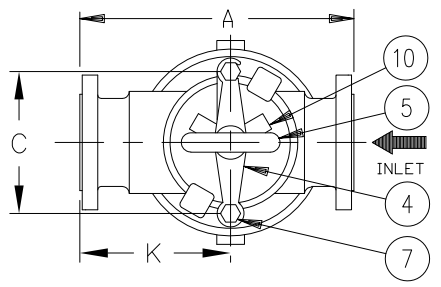


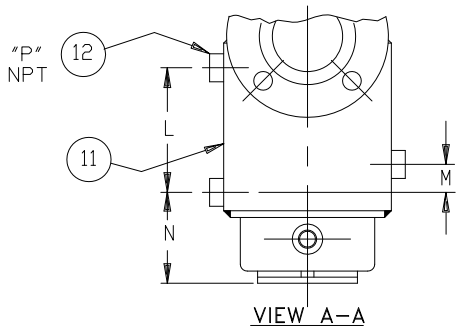
REVISIONS				
REV	DESCRIPTION	BY	ECO	DATE
E	UPDATED TITLE BLOCK	R. DHONDE	0106104	12/24/2014

NO.	PART NAME	MATERIAL
1	BODY	CSTL ASTM A216 GR. WCB
2	SCREEN	
	PERF. DIA.	
	MESH	
3	COVER	CSTL ASTM A216 GR. WCB
4	YDKE	DUCTILE IRON
5	YDKE SCREW	STEEL
6	O-RING	VITON
7	STUD	STEEL
8	DRAIN PLUG	CARBON STEEL
9	BODY PLUG	CARBON STEEL
10	COVER CLAMP	DUCTILE IRON
11	STEAM JACKET	CARBON STEEL
12	3000# HALF COUPLING WITH PIPE PLUG	CARBON STEEL


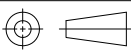


NOTES:

1. INLET/OUTLET 150 LB. RAISED FACED FLANGED CONNECTIONS PER ASME B16.5 .
2. COVER CLAMP (ITEM 10) FOR 4", 6" SIZES.
3. 7/16"Ø SLOTTED FOOT PADS FOR SIZE 2".
4. 1/2"Ø SLOTTED FOOT PADS FOR SIZE 3".
5. 9/16"Ø SLOTTED FOOT PADS FOR SIZE 4".
6. 9/16"Ø HOLED FOOT PADS FOR SIZE 6".
7. DIMENSION "G" (NPT) IS FOR DRAIN PLUG, ITEM 8.
8. ITEM 9, BODY PLUG IS NOT TO BE USED AS DRAIN.
9. MAX. WORKING PRESSURE: 200 PSI @ 100° F (13.8 BAR @ 37.8° C)
10. STEAM JACKET RATING : 100 PSI @ 400°F MAX (6.9 BARS @ 204.4°C)



PIPE SIZE (NOMINAL)	DIMENSIONS														WEIGHT LBS. KGS. (DRY)	PART NO.
	A IN. MM.	B IN. MM.	C IN. MM.	D IN. MM.	F IN. MM.	G (NOM.) IN. MM.	H IN. MM.	J IN. MM.	K IN. MM.	L IN. MM.	M IN. MM.	N IN. MM.	P (NOM.) IN. MM.			
1" (25mm)	7.63/194	8.38/213	4.00/102	5.00/127	12/305	1/2 (15)	N/A	N/A	4.31/110	2.00/51	0.50/13	1.25/32	1/2 (15)	16 / 7	ST072010BR30SJ	
1-1/2" (40mm)	10.25/260	11.00/279	4.88/124	7.00/178	16/406	3/4 (20)	N/A	N/A	5.75/146	3.25/82	0.75/19	3.00/76	1/2 (15)	25 / 12	ST072015BR30SJ	
2" (50mm)	10.50/268	13.75/349	6.75/172	7.63 /194	20/508	1/2 (15)	5.50/140	2.75/70	5.75/146	3.31/84	1.50/38	4.38/111	1/2 (15)	48 / 22	ST072020BR30SJ	
2-1/2"(65mm)	11.63/295	15.63/397	8.00/203	8.88/226	23/584	3/8 (10)	6.50/165	2.88/73	6.63/168	3.50/89	0.75/19	5.00/127	1/2 (15)	81 / 37	ST072025BR30SJ	
3" (80mm)	13.13/334	18.75/476	7.94/202	12.00/305	27/686	1/2 (15)	7.00/178	3.13/80	7.81/198	5.75/146	1.50/38	4.75/121	1/2 (15)	112 / 51	ST072030BR30SJ	
4" (100mm)	17.25/438	19.88/505	10.69/272	10.69/272	29/737	1/2 (15)	10.00/254	3.88/99	9.63/245	3.25/83	1.50/38	5.38/137	3/4 (20)	165 / 75	ST072040BR30SJ	
6" (150mm)	19.63/499	28.50/724	10.69/272	18.31/465	46/1168	1/2 (15)	10.00/254	5.00/127	10.81/275	15.00/381	1.50/38	4.88/124	3/4 (20)	315 / 143	ST072060BR30SJ	

DRAWN BY AB		 HYDRAULICS GROUP FILTRATION DIVISION GALESBURG, MICHIGAN, USA • TINTON FALLS, NEW JERSEY, USA					
				SCALE AS DRAWN			
CUSTOMER INFO		RESTRICTION RESTRICTED		TITLE MODEL 72 SIMPLEX STRAINER, 150# RF FLANGE STEAM JACKETED, SIZES 1" THRU 6" CARBON STEEL			
		SHEET 1 OF 1					
NAME		PROJECTION THIRD ANGLE		DATE 04/04/97	SIZE A	DWG FILENAME SD072034	REV E
P.O. NO.		EATON CORPORATION - CONFIDENTIAL AND PROPRIETARY NOTICE TO PERSONS RECEIVING THIS DRAWING AND/OR TECHNICAL INFORMATION					
TAG NO.		THIS DOCUMENT, INCLUDING THE DRAWING AND INFORMATION CONTAINED THEREON IS CONFIDENTIAL AND IS THE EXCLUSIVE PROPERTY OF EATON AT ANY TIME. BY TAKING THE POSSESSION OF THIS DOCUMENT THE RECIPIENT ACKNOWLEDGES AND AGREES THAT THIS DOCUMENT CANNOT BE USED IN ANY MANNER ADVERSE TO THE INTEREST OF EATON AND THAT NO PORTION OF THIS DRAWING MAY BE COPIED OR OTHERWISE REPRODUCED WITHOUT THE PRIOR WRITTEN CONSENT OF EATON, IN THE CASE OF CONFLICTING CONTRACTUAL PROVISIONS, THIS NOTICE SHALL GOVERN THE STATUS OF THIS DOCUMENT.					
S.O. NO.		2015 EATON CORPORATION - ALL RIGHTS RESERVED.					
PART NO.	SEE TABLE						