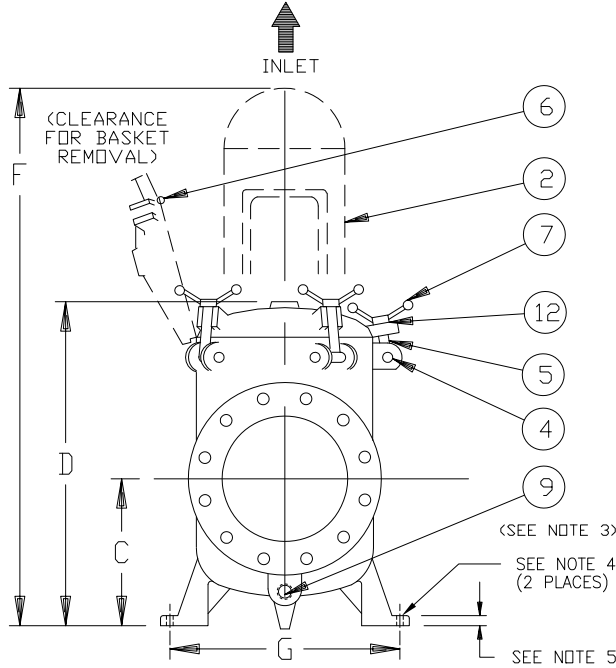
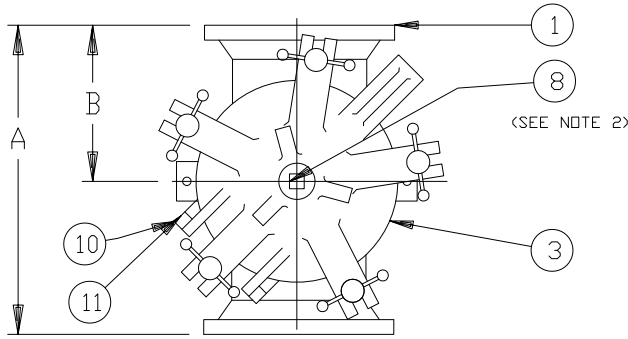


REVISIONS				
REV	DESCRIPTION	BY	ECO	DATE
E	UPDATED TITLE BLOCK	R. DHONDE	0106104	12/25/2014


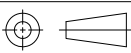


NO.	PART NAME	MATERIAL
1	BODY	BRONZE
2	BASKET	
	PERF. DIA.	
	MESH	
3	COVER	BRONZE
4	SWING NUT	CARBON STEEL
5	STUD	STEEL
6	O-RING	BUNA-N
7	HANDLE	CAST IRON
8	VENT PLUG	BRONZE
9	DRAIN PLUG	BRONZE
10	CLEVIS PIN	CARBON STEEL
11	COTTER PIN	STEEL
12	WASHER	STEEL

NOTES:

- INLET/OUTLET 150 LB. FLANGED CONNECTIONS: FOR SIZES 10" & 12", PER ASME B16.24. FOR SIZES 14" & 16", DRILLING PER ASME B16.5.
- ITEM 8, VENT - 1/4" NPT (8mm).
- ITEM 9, DRAIN - 1-1/2" NPT (40mm).
- MOUNTING HOLE ϕ IS 1" (25mm) NOMINAL.
- MOUNTING PAD THICKNESS 1" (25mm).
- MAX. WORKING PRESSURE: 200 PSI @ 100° F (13.8 BAR @ 37.8° C)

PIPE SIZE (NOMINAL)	DIMENSIONS						WEIGHT (DRY)		PART NO.						
	A		B		C		D			F		G		LBS.	KGS.
10" (250mm)	23.00	584	11.00	279	12.19	310	29.00	737	47.00	1194	19.00	483	500	227	ST073100BF10C
12" (300mm)	27.00	686	13.00	330	16.75	425	38.00	965	67.00	1702	23.00	584	825	374	ST073120BF10C
14" (350mm)	31.25	794	15.63	397	18.75	476	45.00	1143	77.00	1956	27.00	686	1150	522	ST073140BF10C
16" (400mm)	31.25	794	15.63	397	18.75	476	45.00	1143	77.00	1956	27.00	686	1400	635	ST073160BF10C

DRAWN BY FM		 HYDRAULICS GROUP FILTRATION DIVISION GALESBURG, MICHIGAN, USA • TINTON FALLS, NEW JERSEY, USA			
SCALE AS DRAWN					
RESTRICTION RESTRICTED		TITLE MODEL 73 SIMPLEX STRAINER, 150# FLAT FACE FLANGE, SIZES 10" THRU 16" BRONZE			
SHEET 1 OF 1		DATE 01/25/95	SIZE A	DWG FILENAME SD073031	REV E
PROJECTION THIRD ANGLE 		EATON CORPORATION - CONFIDENTIAL AND PROPRIETARY NOTICE TO PERSONS RECEIVING THIS DRAWING AND/OR TECHNICAL INFORMATION THIS DOCUMENT, INCLUDING THE DRAWING AND INFORMATION CONTAINED THEREON IS CONFIDENTIAL AND IS THE EXCLUSIVE PROPERTY OF EATON AT ANY TIME. BY TAKING THE POSSESSION OF THIS DOCUMENT THE RECIPIENT ACKNOWLEDGES AND AGREES THAT THIS DOCUMENT CANNOT BE USED IN ANY MANNER ADVERSE TO THE INTEREST OF EATON AND THAT NO PORTION OF THIS DRAWING MAY BE COPIED OR OTHERWISE REPRODUCED WITHOUT THE PRIOR WRITTEN CONSENT OF EATON, IN THE CASE OF CONFLICTING CONTRACTUAL PROVISIONS, THIS NOTICE SHALL GOVERN THE STATUS OF THIS DOCUMENT. 2015 EATON CORPORATION - ALL RIGHTS RESERVED.			
CUSTOMER INFO		PART NO. SEE TABLE			
NAME					
P.O. NO.					
TAG NO.					
S.O. NO.					