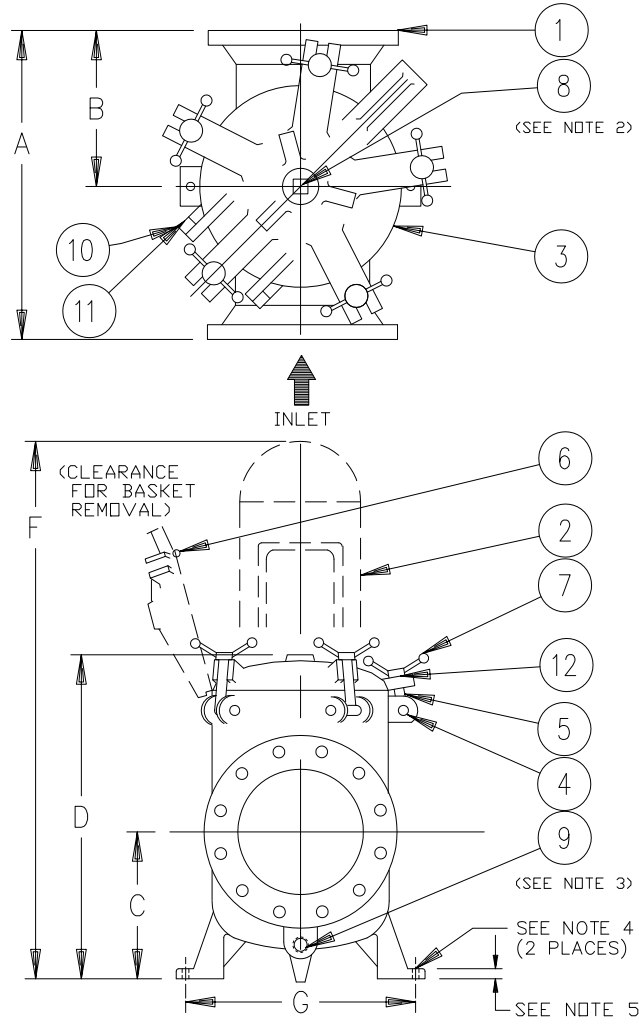



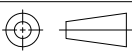
REVISIONS				
REV	DESCRIPTION	BY	ECO	DATE
C	UPDATED TITLE BLOCK	R. DHONDE	0106104	12/25/2014



NO.	PART NAME	MATERIAL
1	BODY	CAST IRON ASTM A126 CL B
2	BASKET	
	PERF. DIA.	
	MESH	
3	COVER	CAST IRON ASTM A126 CL B
4	SWING NUT	CARBON STEEL
5	STUD	STEEL
6	O-RING	BUNA-N
7	HANDLE	CAST IRON
8	VENT PLUG	CAST IRON
9	DRAIN PLUG	CAST IRON
10	CLEVIS PIN	CARBON STEEL
11	COTTER PIN	STEEL
12	WASHER	STEEL

- NOTES:
1. INLET/OUTLET FLANGED CONNECTIONS PER DIN PN16.
  2. ITEM 8, VENT - 1/4" NPT (8mm).
  3. ITEM 9, DRAIN - 1-1/2" NPT (40mm).
  4. MOUNTING HOLE  $\phi$  IS 1" (25mm) NOMINAL.
  5. MOUNTING PAD THICKNESS 1" (25mm).
  6. MAX. WORKING PRESSURE: 200 PSI (13.8 BAR) @ 100° F (37.8° C)

PIPE SIZE (NOMINAL)	DIMENSIONS						WEIGHT (DRY)		PART NO.						
	A		B		C		D			F		G		LBS.	KGS.
10" (250mm)	23.00	584	11.00	279	12.19	310	29.00	737	47.00	1194	19.00	483	420	191	ST073100AD40C
12" (300mm)	27.00	686	13.00	330	16.75	425	38.00	965	67.00	1702	23.00	584	780	354	ST073120AD40C

DRAWN BY FM		 HYDRAULICS GROUP FILTRATION DIVISION GALESBURG, MICHIGAN, USA • TINTON FALLS, NEW JERSEY, USA			
SCALE AS DRAWN					
RESTRICTION RESTRICTED		TITLE MODEL 73 SIMPLEX STRAINER, DIN PN16 FLAT FACE FLANGE, SIZES 10" THRU 12" CAST IRON			
SHEET 1 OF 1		DATE 08/23/07	SIZE A	DWG FILENAME SD073035	REV C
PROJECTION THIRD ANGLE					
CUSTOMER INFO		EATON CORPORATION - CONFIDENTIAL AND PROPRIETARY NOTICE TO PERSONS RECEIVING THIS DRAWING AND/OR TECHNICAL INFORMATION THIS DOCUMENT, INCLUDING THE DRAWING AND INFORMATION CONTAINED THEREON IS CONFIDENTIAL AND IS THE EXCLUSIVE PROPERTY OF EATON AT ANY TIME. BY TAKING THE POSSESSION OF THIS DOCUMENT THE RECIPIENT ACKNOWLEDGES AND AGREES THAT THIS DOCUMENT CANNOT BE USED IN ANY MANNER ADVERSE TO THE INTEREST OF EATON AND THAT NO PORTION OF THIS DRAWING MAY BE COPIED OR OTHERWISE REPRODUCED WITHOUT THE PRIOR WRITTEN CONSENT OF EATON, IN THE CASE OF CONFLICTING CONTRACTUAL PROVISIONS, THIS NOTICE SHALL GOVERN THE STATUS OF THIS DOCUMENT. 2015 EATON CORPORATION - ALL RIGHTS RESERVED.			
NAME		PART NO. SEE TABLE			
P.O. NO.					
TAG NO.					
S.O. NO.					